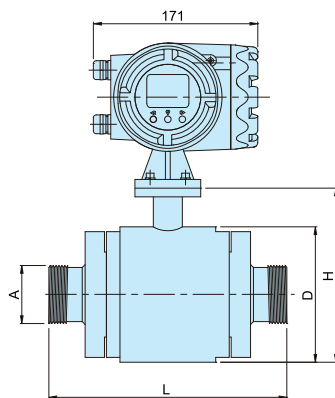


VA Series

Electromagnetic Flowmeter Sensors (Thread Type)



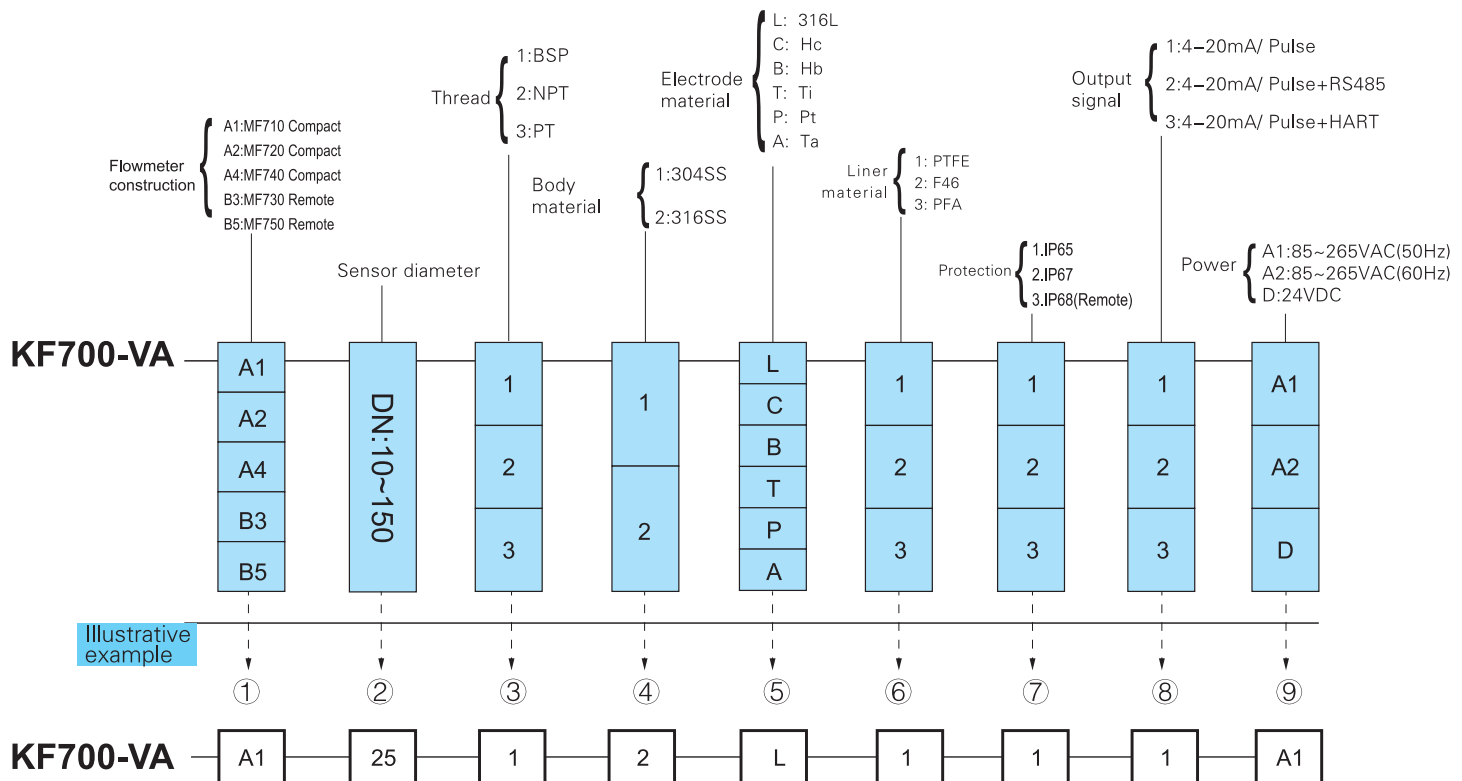
Performance Feature

Diameter: DN10mm-DN150
 Electrode: 316L, Hc, Ti, Ta, Pt
 Liner: PTFE, PFA
 Medium: conductivity liquids
 Medium conductivity: $\geq 5\mu$ s/cm
 Accuracy: $\pm 0.5\%$ RS- $\pm 1.0\%$ RS
 Velocity of flow: 0.1m/s- 10m/s
 Working temperature: -25°C ~ 150°C
 Working pressure: 0.6MPa-1.6MPa (base on diameter)
 Power supply: 85~265VAC (50HZ or 60HZ) /24VDC
 Installation type: compact, remote

Sizes

D N(mm)	L	D	H	A
25	190	91	130	BSP1"
32	200	105	145	BSP1¼"
40	220	120	160	BSP1½"
50	230	140	180	BSP2"
65	240	150	190	BSP2½"
80	250	160	200	BSP3"
100	270	190	230	BSP4"
125	290	220	260	BSP5"
150	310	240	280	BSP6"

KF700-VA How to order



* Note: MF720, M730 is optional of RS485 or HART protocol

MF730, MF750 protection class is optional of IP68, normal standard is IP65 or IP67

* Remark: For remote type, please specify the cable length(Standard is 8M).