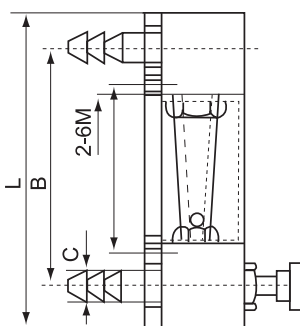


LZB series have simple structure with low pressure loss, Corrosive resistant type using stainless steel or polytetrafluoroethylene (PTFE) can resistant most corrosive solvent. DN4~10 have hose connections and DN15~100 have flange connection or on request; the accuracy is 2.5%, corrosion-proof type is ±4%, operation temperature is -20°C~60°C

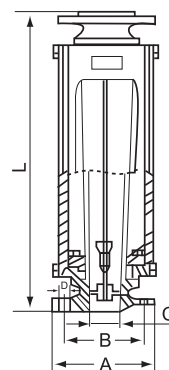


### Specification

DN(mm)	Model	Measure Range		Tube Length (mm)	Accuracy		Working Pressure MPa
		Water	Air		LZB	LZB-F	
∅ 4	LZB-4	1~10L/h 1.6~16L/h 2.5~25L/h	16~160L/h 25~250L/h 40~400L/h	160	± 2.5%	± 4%	≤1.0
∅ 6	LZB-6	2.5~25L/h 4~40L/h 6~60L/h	40~400L/h 60~600L/h 100~1000L/h				
∅ 10	LZB-10	6~60L/h 10~100L/h 16~160L/h	100~1000L/h 160~1600L/h 250~2500L/h				
∅ 15	LZB-15 LZB-15F	16~160L/h 25~250L/h 40~400L/h	0.25~2.5m³/h 0.4~4m³/h 0.6~6m³/h	350	± 2.5%	± 2.5%	≤0.6
∅ 25	LZB-25 LZB-25F	40~400L/h 60~600L/h 100~1000L/h	1~10m³/h 1.6~16m³/h 2.5~25m³/h				
∅ 40	LZB-40 LZB-40F	160~1600L/h 250~2500L/h	4~40m³/h 6~60m³/h	430	± 2.5%	± 2.5%	≤0.4
∅ 50	LZB-50 LZB-50F	0.4~4m³/h 0.6~6m³/h 1~10m³/h 5~16m³/h	10~100m³/h 16~160m³/h	450			
∅ 80	LZB-80 LZB-80F	1~10m³/h 1.6~16m³/h	50~250m³/h 80~400m³/h	500			
∅ 100	LZB-100 LZB-100F	5~25m³/h 8~40m³/h	120~600m³/h 200~1000m³/h	500	± 2.5%		



LZB-4~10



LZB-15~100

Model	A	B	L	C	D
LZB-4	170	208	238	∅12	40 x 35
LZB-6					
LZB-10					
LZB-15	∅95	∅65	∅470	∅15	4 - ∅14
LZB-25	∅115	∅85	∅470	∅25	4 - ∅14
LZB-40	∅145	∅110	∅570	∅40	4 - ∅18
LZB-50	∅160	∅125	∅570	∅50	4 - ∅18
LZB-80	∅185	∅150	∅660	∅80	4 - ∅18
LZB-100	∅205	∅170	∅660	∅100	4 - ∅18