

A

Magnetic Inductive Flowmeter

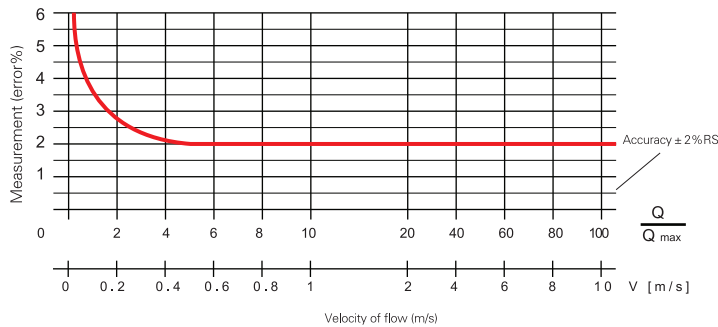
KF700M series Magnetic Inductive Flowmeter is our new developed low flow flowmeter with latest technologies, there are no moving parts, no mechanic wear, compact size design and easy installation. It is an alternative of Paddle Wheel Flowmeter when measuring waste water or dirty liquids. And suitable for continuously flow measurement on wide range of applications. 24V DC power supply and pulse output, also can be pre-configured at factory for any special flow measurement.



thread connection

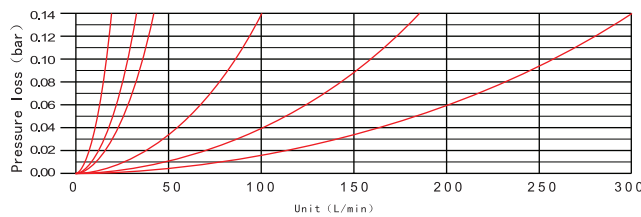
Error curve

Base error (Pulse output) :
 When velocity low of $Q > 0.05Q_{max}$ $\pm 2\%RS$
 When velocity low of $Q < 0.05Q_{max}$ $\pm 0.00025RS$
 Low/S is $Q_{maxflow}$



M12 plug

Pressure loss curve



Performance Feature

- Diameter: DN2~DN25
- Electrodes: 316L
- Medium: conductivity liquids
- Medium: $\geq 5\mu s/cm$, softener water $\geq 20\mu s/cm$
- Accuracy: $\pm 2.0\%RS$
- Velocity of flow: 0.3m/s -10m/s
- Working temp.: $-10^{\circ}C \sim +60^{\circ}C$
- Working pressure: 0.6MPa~1.0MPa
- Protection: IP67
- Output Signal: Pulse/Frequency
- Power: 24VDC
- Installation: compact, remote
- Body material: Aluminium



Mini DIN connect

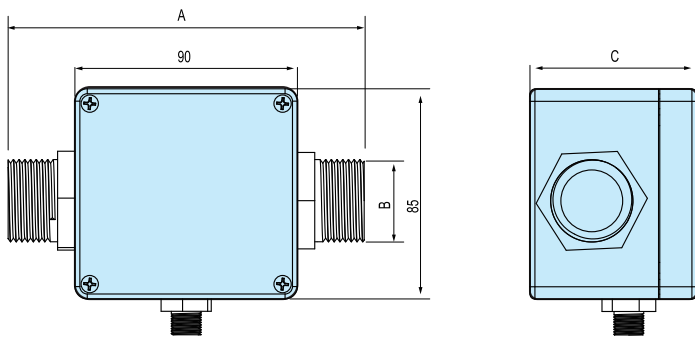
KF700M Series

Mini Electromagnetic Flowmeters

Specifications:

Unit: L/min

DN	Measuring range		Male thread
	Standard type	Special type	
2	0.1~1	0.1~2	BSP3/8"
3	0.2~2	0.2~4	BSP3/8"
4	0.4~4	0.4~8	BSP3/8"
6	0.8~8	0.8~16	BSP3/8"
8	1.5~15	1.5~30	BSP1/2"
10	2~20	2~40	BSP1/2"
15	5~50	5~100	BSP1/2"
20	9~90	9~180	BSP3/4"
25	15~150	15~300	BSP1"



External dimensions

Unit: mm

D N	A	B	C
2	130	BSP3/8"	67.5
3	130	BSP3/8"	
4	130	BSP3/8"	
6	140	BSP3/8"	
8	140	BSP1/2"	
10	140	BSP1/2"	
15	150	BSP1/2"	
20	150	BSP3/4"	
25	160	BSP1"	

KF700M

How to order

