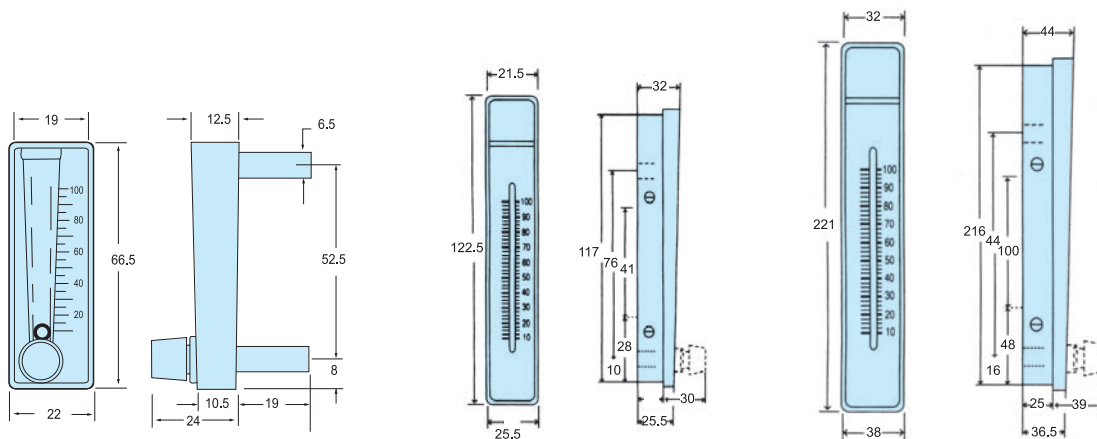
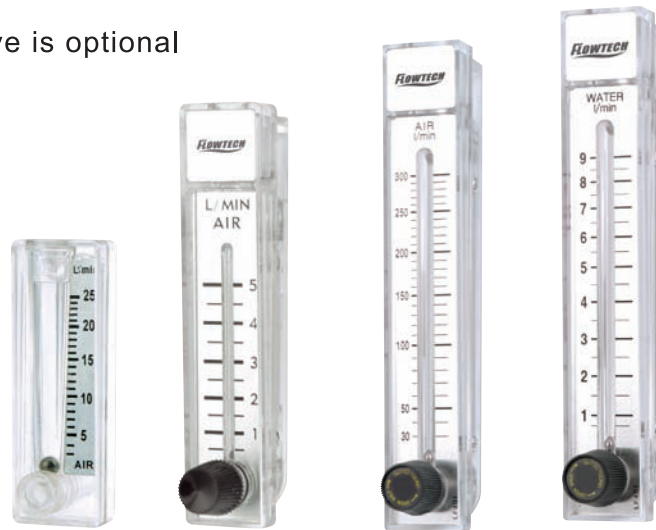


Z-7000 series flowmeter is used in small air flow and liquids, with good shape, easy to install, wash and replace spare parts.

Body is PC(polycarbonate), valve is optional



Z-7001

Z-7002

Z-7003

Specification

Model	Measuring range		Accuracy	Condition		Connection
	Liquid L/min	Air L/min		Pressure	Temp.	
Z-7001	0.1~1.1 0.25~2.5 0.3~3.5	0.05~0.5 0.1~1 0.5~5 2.5~25 5~50	±5%	≤0.6MPa	0 ~ +60°C	Ø6
Z-7002	1~1.5 1~2 1~3	0.5~5 1~10 5~25 7~70 5~50 10~100				1/8 PT
Z-7003	1~4 1~7 1~9	10~100 15~150 20~140 20~200 30~300				1/4 PT