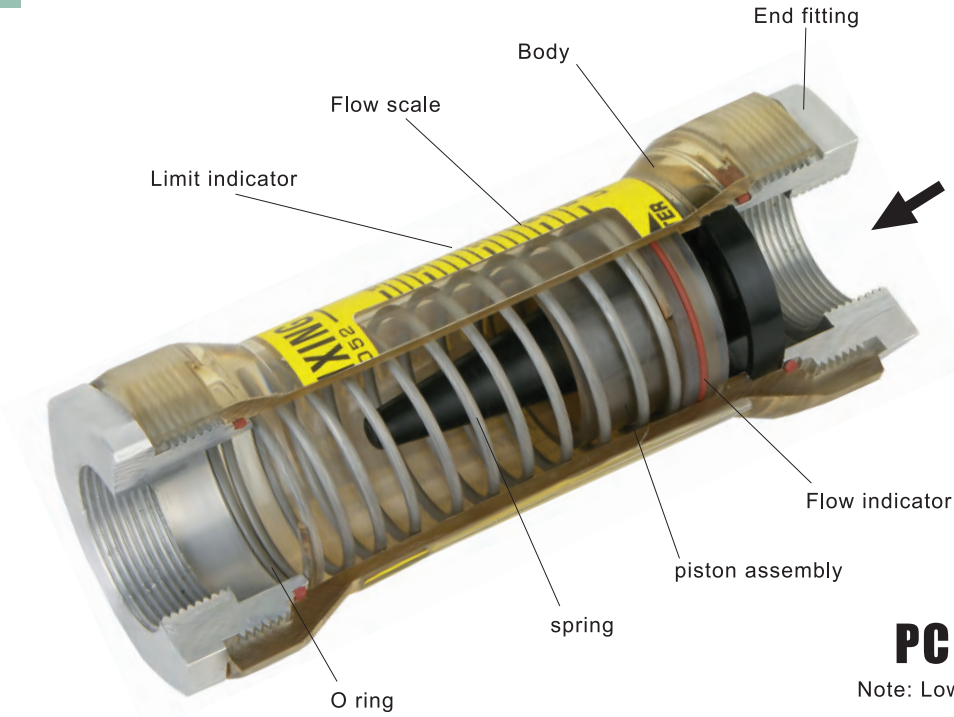
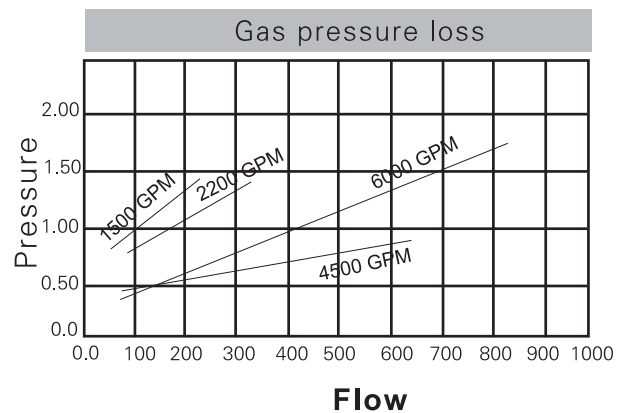
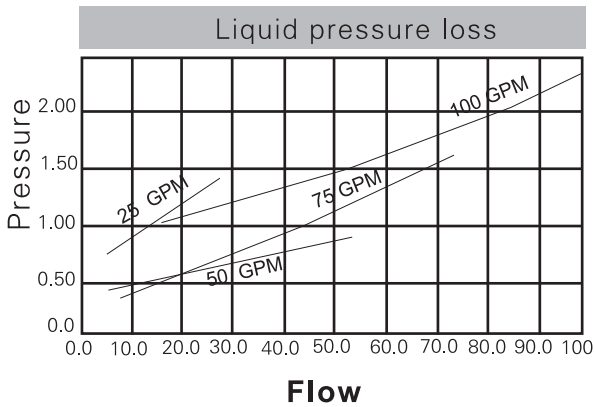
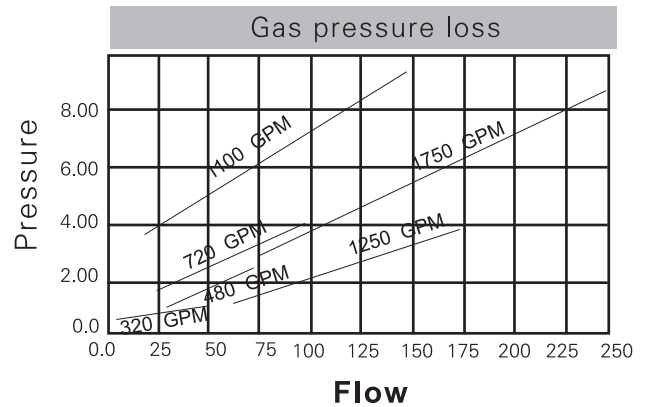
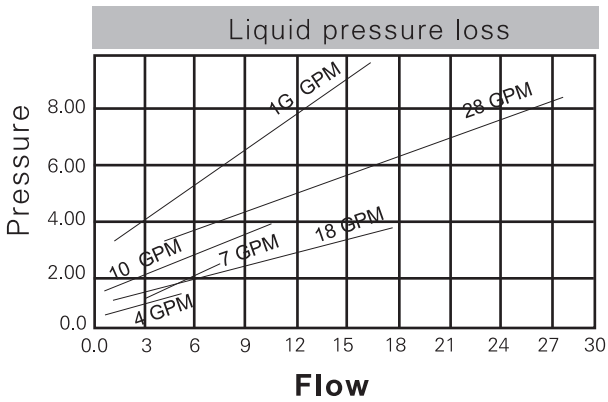


G



### PC、PSU Body

Note: Low /high alarm switch is optional



G

The main frame of the flow meter of this type is made of engineering plastics of high strength (PC Polycarbonate or PSU polysulfone), Injection molded, chemical resistant Polysulfone which is breaking-proof and corrosion-proof, Direct exposure to sunlight is not recommended and can be mounted in any position. It is capable of bearing high pressure, easy to read (the reading is red O-ring), and equipped with indicating device showing the high and low limit of the flow.

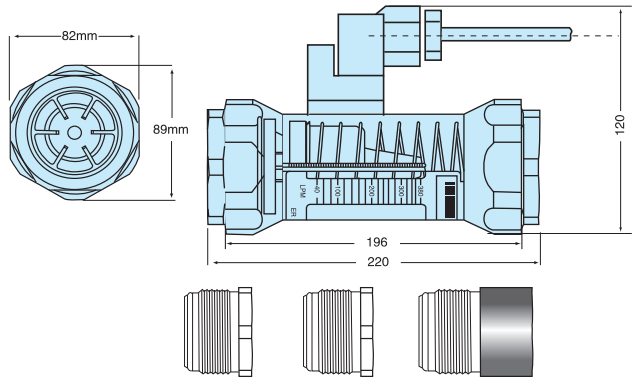
- Temperature limited: PC: 0~60°C  
PSU: 0~100°C
- Accuracy: ±6%
- Alarm switch is optional



### Z-65

Model	Measuring range		Thread (NPT)
	Water		
	GPM	LPM	
Z-6501	3~25	12~90	1½" Female or 2" Female
Z-6502	5~50	20~200	
Z-6503	8~80	30~280	
Z-6504	10~100	40~380	

Note: BSP is optional



### Z-65

### How to order

