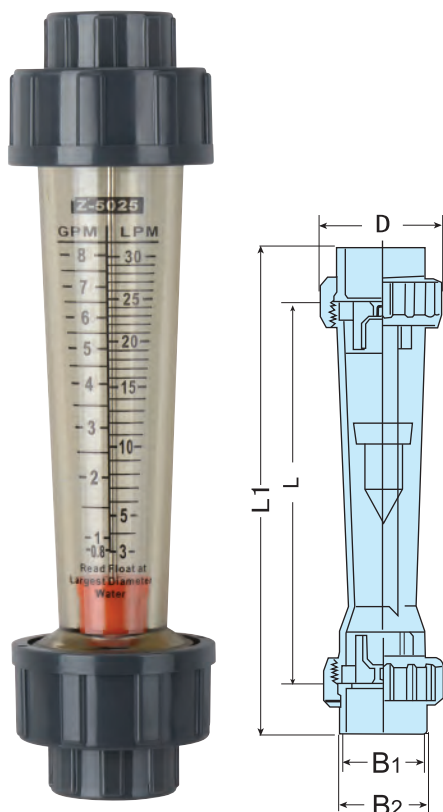


# Z-500G (Glue) Series

## Plastic Flowmeters

### Features

- Z-500G series of free standing, female ends
- Low cost of double scale flowmeter
- Union type in line fittings provide ease of installation and maintenance.
- O-rings side engage for positive seals.
- Direct reading scale(GPM-LPM water)is standard. special scales are available.
- Easy to read scale is positioned directly in front of metering tube.
- High/low flow alarm switch(reed type) is rated at 24VDC.
- Working pressure limit: 0.6Mpa
- Working temperature limit: 60°C
- Accuracy: ±5%



### Specifications

Model	Water		Glue(mm)
	(GPM)	(LPM)	
Z-5008	0.1~1 0.2~2 0.5~5	0.5~4 1~7 1.8~18	ø20
Z-5008C	0.1~1 0.2~2 0.5~5	0.5~4 1~7 1.8~18	ø20
Z-5015	0.25~2.5 0.5-5 0.8-8	1~10 1.8~18 3~30	ø20
Z-5025	0.8-8 1-10	3-30 4-40	ø32
Z-5032	1.2~12 2-20 2.5-25	5-50 8-80 10-100	ø40
Z-5050	2.5-25 5-45 7-70	10-100 20-180 25-250	ø63
Z-5065	25~110 40-160 50~250	80-400 150-650 200-1000	ø75

Note: Other flow range is optional as special order.  
Z-5008/Z-5008C/Z-5015 without alarm switch

### Sizes

Unit: mm

Model	L	D	Glue			Weights (KG)
			L1	B1	B2	
Z-5008	99	42	146	20	26	0.15
Z-5008C	160	51	210	20	26	0.2
Z-5015	135	51	180	20	26	0.2
Z-5025	170	59	226	32	39	0.4
Z-5032	223	72	287	40	49	0.65
Z-5050	290	100	375	63	73	2.5
Z-5065	325	120	420	75	89	3.5

### Z-500G

### How to order

